

VISION HOME DIGITAL LATCH BOLT LEFT



Vision Home is an electrical handle for use on the inside of a balcony or patio door or a window with concealed screws.

The lock is suitable for both in and outward facing doors and windows and the handle is run on two AAA batteries (not included). You lock the handle by swiping your finger over the digital panel and simply unlock by entering your six digit code. The background panel is lit and provides visual feedback when using the handle. The code of your choice remains the same when the batteries are changed or a power shortage should occur. It's easy to change the code should you want to.

The lock is approved according to Swedish standard 3620:2017 – class B, which is what is required for insurance companies for locking av patio doors.

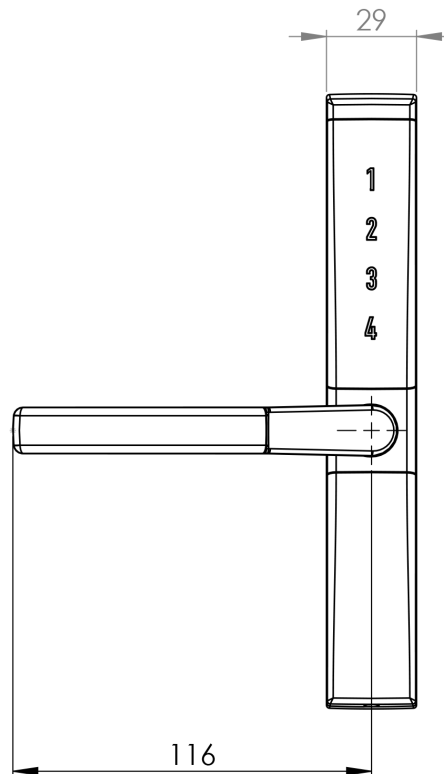
RELATED PRODUCTS

Similar products:

Use the Index Code at [industrilas.com](https://www.industrilas.com)

TECHNICAL INFORMATION

Colour:



P/N	Surface treatment	Standards	Handle type	Shaft, diameter	Shaft, length	Product type
7404-03400-07043	Chrome matt	SS-3620:2017 klass B	Latch bolt left	7 mm	43 mm	Digital
7404-03400-07060	Chrome matt	SS-3620:2017 klass B	Latch bolt left	7 mm	60 mm	Digital
7404-03400-07110	Chrome matt	SS-3620:2017 klass B	Latch bolt left	7 mm	110 mm	Digital
7404-03400-08043	Chrome matt	SS-3620:2017 klass B	Latch bolt left	8 mm	43 mm	Digital
7404-03400-08060	Chrome matt	SS-3620:2017 klass B	Latch bolt left	8 mm	60 mm	Digital
7404-03400-08110	Chrome matt	SS-3620:2017 klass B	Latch bolt left	8 mm	110 mm	Digital
7406-03600-07043	Black texture powder coated	SS-3620:2017 klass B	Latch bolt left	7 mm	43 mm	Digital
7406-03600-07060	Black texture powder coated	SS-3620:2017 klass B	Latch bolt left	7 mm	60 mm	Digital
7406-03600-07110	Black texture powder coated	SS-3620:2017 klass B	Latch bolt left	7 mm	110 mm	Digital
7406-03600-08043	Black texture powder coated	SS-3620:2017 klass B	Latch bolt left	8 mm	43 mm	Digital
7406-03600-08060	Black texture powder coated	SS-3620:2017 klass B	Latch bolt left	8 mm	60 mm	Digital
7406-03600-08110	Black texture powder coated	SS-3620:2017 klass B	Latch bolt left	8 mm	110 mm	Digital